


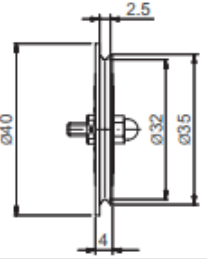

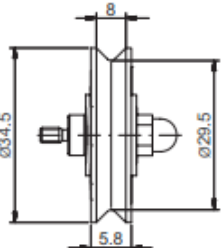

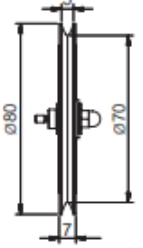

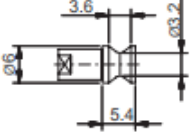

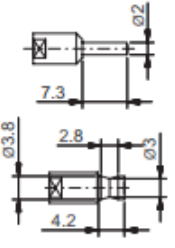
## Roller Sets

Order-No.	Description	Models	Image	Dimensions
R50005	<p>Hardcoated aluminium</p> <p>Line speed 900 m/min</p> <p>Applicable for yarn, threads, thin wires</p>	ZF2 DXE DXV DXES ZEF DTVB DTVX		
R50004	<p>Hardcoated aluminium</p> <p>Line speed 2000 m/min</p> <p>Applicable for yarn, threads, thin wires</p>	ZD2 DX2 DN1 DX2S ZED DTMB DTMX		
R50013*	<p>Hardcoated aluminium</p> <p>Line speed 1000 m/min</p> <p>Applicable for yarn, threads, thin wires</p>	MKM Q MK DN1		
R50007	<p>Hardcoated aluminium</p> <p>Line speed 2000 m/min</p> <p>Applicable for yarn, threads, thin wires</p>	TS1 FS1 FS1-422		
R50012*	<p>Hardcoated aluminium</p> <p>Line speed 6000 m/min</p> <p>Applicable for threads, yarn</p>	DXP TSP FSP FSP-422		

Subject to change without notice.

\*Please indicate the type of your tension meter, when ordering.


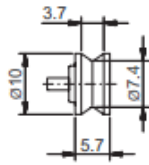

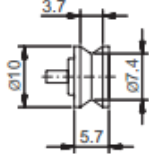

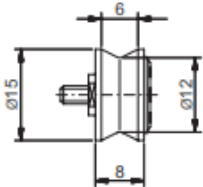

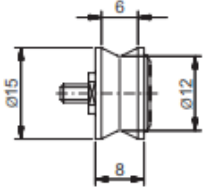

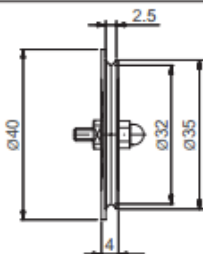
## Roller Sets

Order-No.	Description	Models	Image	Dimensions
R50011*	<p>Hardcoated aluminium</p> <p>Line speed 4000 m/min</p> <p>Applicable for optical fibres, carbon fibres, technical fibres</p>	<p>DXF</p> <p>DXFS</p> <p>DTFB</p> <p>DTFX</p> <p>TSL</p> <p>FSL</p> <p>FSL-422</p>		
R50106*	<p>Hardened steel</p> <p>Line speed 4000 m/min</p> <p>Applicable for wires, cables, buffer tubes</p>	<p>DXL</p> <p>DTLB</p> <p>DTLX</p> <p>TSH</p> <p>FSH</p> <p>FSH-422</p>		
R50045	<p>Hardcoated aluminium</p> <p>Line speed 5000 m/min</p> <p>Applicable for optical fibres, sensitive fibres</p>	TSF		
R50017	<p>Aluminium hard chromed</p> <p>Line speed 2000 m/min</p> <p>Applicable for threads, yarn</p>	<p>ETB</p> <p>ETX</p>		
R50020	<p>Oxid ceramic</p> <p>Line speed 6000 m/min</p> <p>Applicable for threads, yarn</p>	<p>ETPB</p> <p>ETPX</p>		

Subject to change without notice.

\*Please indicate the type of your tension meter, when ordering.


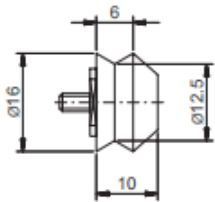

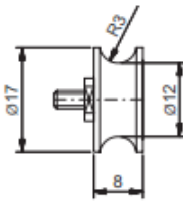

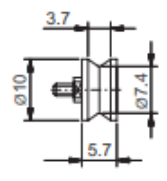

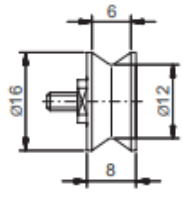

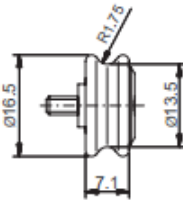
## Roller Sets

Order-No.	Description	Models	Image	Description
R50101 (Code W)	Nickel-plated steel  Line speed 450 m/min  Applicable for wires	ZF2 DXE DXV DXES ZEF DTEB DTEX		
R50102 (Code T)	Plastic (POM) black  Line speed 450 m/min  Applicable for fibres, yarn	ZF2 DXE DXV DXES ZEF DTEB DTEX		
R50710* (Code W)	Nickel-plated steel  Line speed 1000 m/min  Applicable for wires	ZD2 DX2 Q/MK DN1 DX2S ZED DTMB DTMX TS1/FS1 FS1-422		
R50711* (Code T)	Plastic (POM) black  Line speed 1000 m/min  Applicable for fibres, yarn	ZD2 DX2 Q / MK DN1 DX2S ZED DTMB DTMX TS1/FS1 FS1-422		
R50010* (Code T)	Plastic (PVC) red  Line speed 4000 m/min  Applicable for wires, fibres, yarn	DXF DXFS DTFB DTFX TSL FSL FSL-422		

Subject to change without notice.

\*Please indicate the type of your tension meter, when ordering.


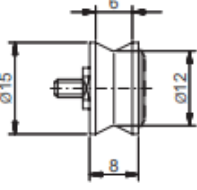

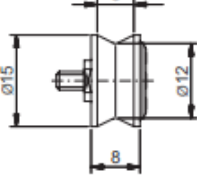

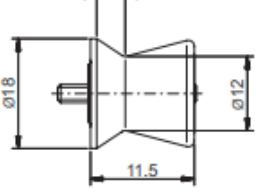

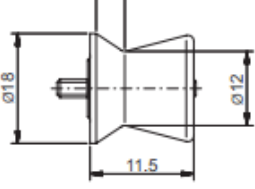

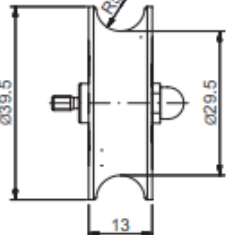
## Roller Sets

Order-No.	Description	Models	Image	Dimensions
R50016* (Code H)	Plasma-coated aluminium  Line speed 5000 m/min  Applicable for wires, fibres, yarn	ZD2 DX2 DN1 DX2S ZED DTMB DTMX TS1 FS1 FS1-422		
R50009* (Code U)	Hardcoated aluminium  Line speed 2000 m/min  Applicable for thin cables, wires, fibres, yarn	DX2 DN1 DX2S DTMB DTMX TS1 FS1 FS1-422		
R50006 (Code K)	Hardcoated aluminium  Line speed 2000 m/min  Applicable for wires, fibres, yarn	ZF2 DXE DXV ZEF DTEB DTEX DTVB DTVX		
R50003* (Code K)	Hardcoated aluminium  Line speed 3500 m/min  Applicable for wires, fibres, yarn	ZD2 DX2 DN1 DX2S ZED DTMB DTMX TS1 FS1 FS1-422		
R50014* (Code CE1)	Ceramic  Line speed 1000 m/min  Applicable for fibres, yarn	ZD2 DX2 DN1 DX2S DTMB DTMX TS1 FS1 FS1-422		

Subject to change without notice.

\*Please indicate the type of your tension meter, when ordering.

## Roller Sets

Order-No.	Description	Models	Image	Dimensions
R50001* (Code B)	Tempered steel Line speed 1000 m/min Applicable for tyre cord, sawing wire, carbon steel wire	DX2 DN1 DX2S DTMB DTMX TS1 FS1 FS1-422		
R50015* (Code ST)	Hardened steel Line speed 1000 m/min Applicable for steel wire, sawing wire	ZD2 DX2 DN1 DX2S DTMB DTMX TS1 FS1 FS1-422		
R50002* (Code ASY)	Hardcoated aluminium Line speed 1000 m/min Applicable for fibre bundel	DX2 DN1 DX2S DTMB DTMX TS1 FS1 FS1-422		
R50023 Code ASY-B*	Tempered steel Line speed 1000 m/min Applicable for fibre bundel	DX2 DN1 DX2S DTMB DTMX TS1 FS1 FS1-422		
R50035* (Code R1)	Hardened steel Line speed 4000 m/min Applicable for buffer tubes, cables	DXL DTLB DTLX TSH FSH FSH-422		

Subject to change without notice.

\*Please indicate the type of your tension meter, when ordering.

## Single Rolls

Order-No.	Description	Models	Image	Dimensions
R12900 R12902 (Code V1)	Hardcoated aluminium  Line speed 1000 m/min  Applicable for wire ropes	DN1 DTMB DTMX	