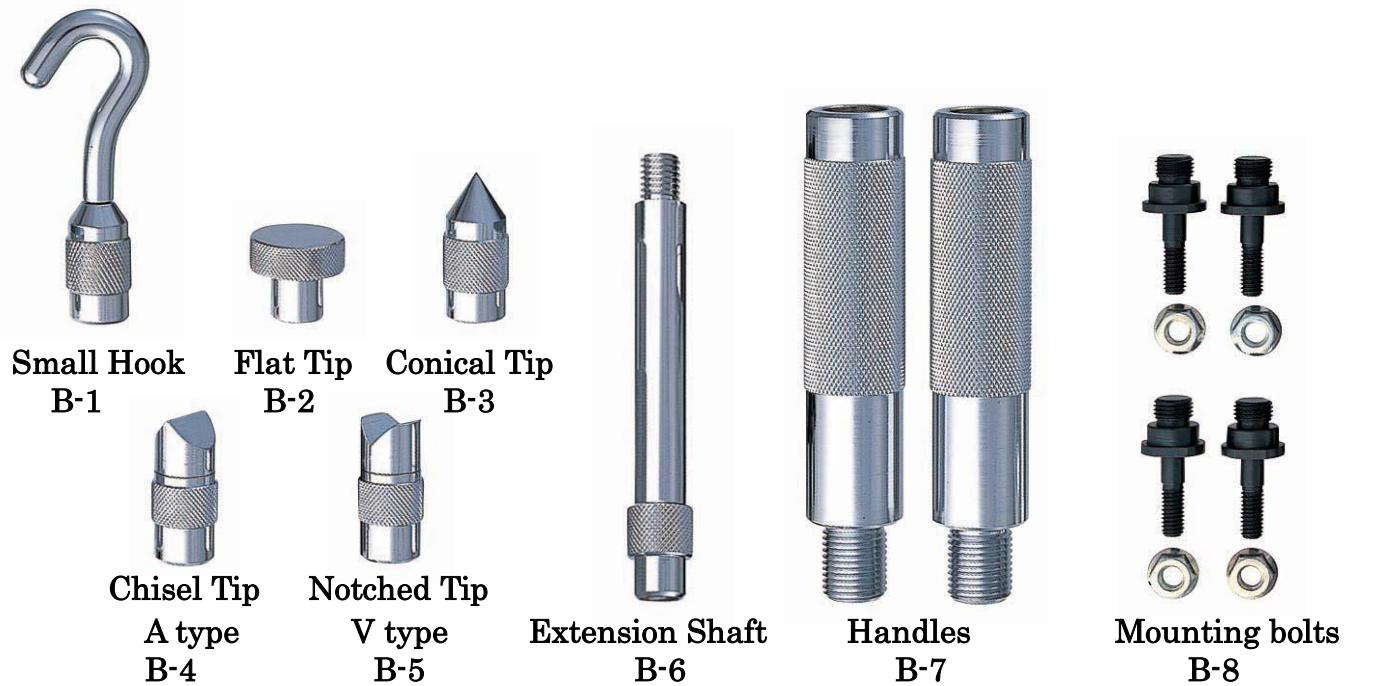


## Attachments

### Standard capacity model attachments



### Heavy capacity model attachments



#### [Remark]

- They are various testing attachments for Imada's force gauges.
- They are soled separately for your requirements.
- All information is subject to change without prior notice.

## [Specifications]

Model	S series (Note 1) [for standard force gauge]	B series [for high capacity force gauge]
Capacity	S-1 to 6 : 1000N (Note 2) S-7 : 1000N S-8 : 1000N	B-1 to 8 : 5000N
Mounting screw	M6 (Female)	M10 P1.5 (Female)
Dimension	Refer to the dimensional drawing	
Weight	Refer to the dimensional drawing	
Recommended force gauge	PS/FB/DS2/ZP/Z2 series 200N to 1000N	PSH/DPSH/ZPH/Z2H series 1000N to 5000N

## Note 1)

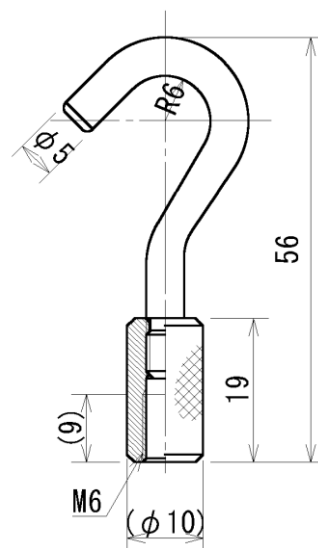
A series attachments, whose capacity is no more than 100N, are also available (Refer to the dimensional drawings on Page 5). Contact to Imada for your inquiry.

## Note 2)

The capacity of S-1 (M6 Female) is 500N. SR-1 (capacity: 1000N) is available. Please contact us for this model.

## Note 3)

All information is subject to change without prior notice.

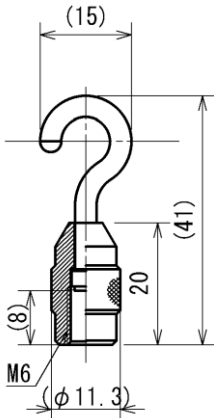


[ SR-1 ] Small Hook

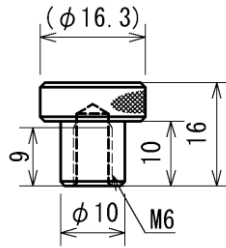
19 g

[ Dimensional drawing ]

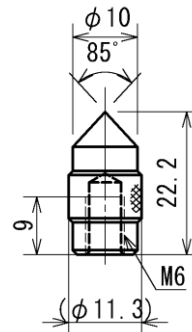
S series



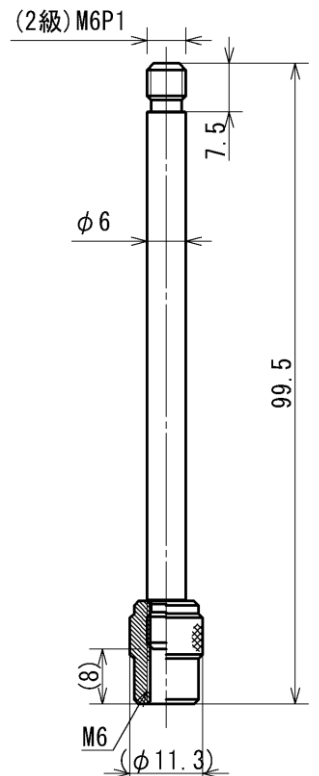
[ S-1 ] Small Hook  
13 g



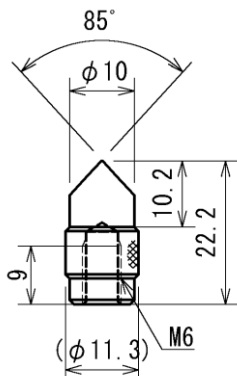
[ S-2 ] Flat Tip  
13 g



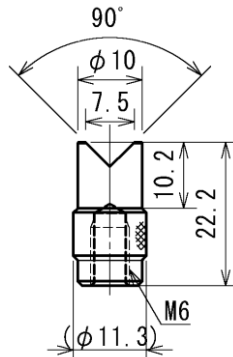
[ S-3 ] Conical Tip  
10 g



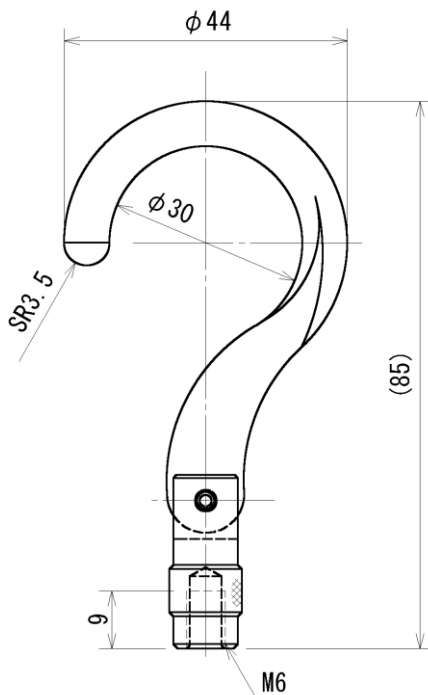
[ S-6 ] Extension Shaft  
27 g



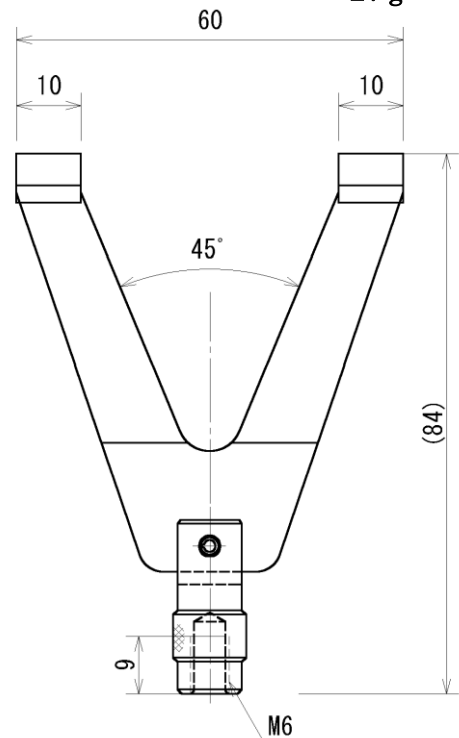
[ S-4 ] A type  
11 g



[ S-5 ] V type  
11 g

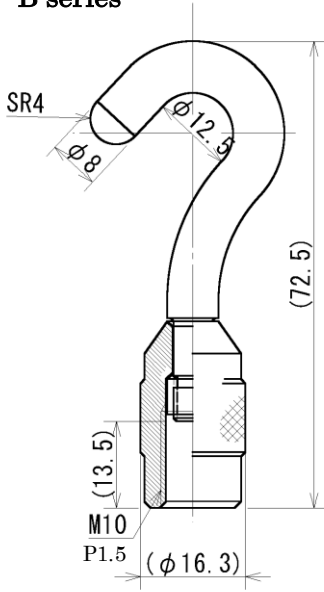


[ S-7 ] Large Hook  
44 g

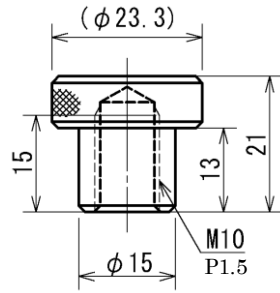


[ S-8 ] Y Hook  
58 g

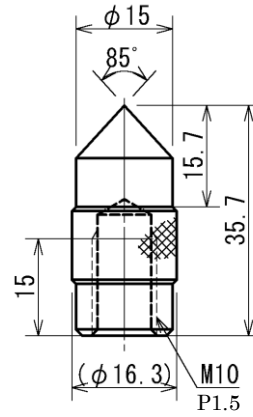
**B series**



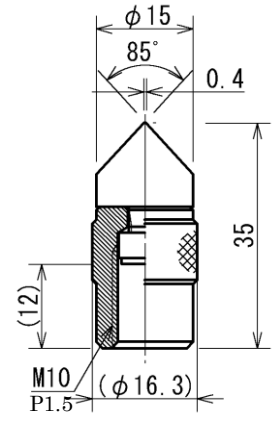
**[ B-1 ] Small Hook**  
59 g



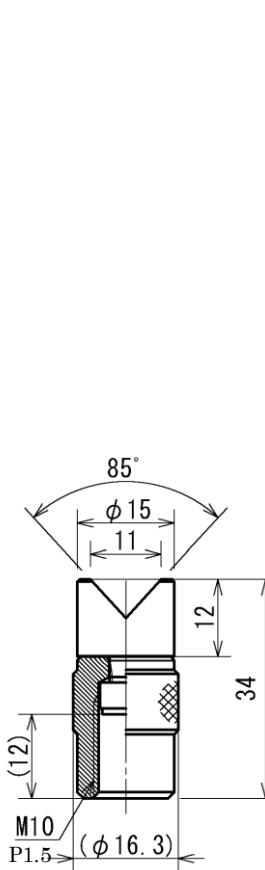
**[ B-2 ] Flat Tip**  
29 g



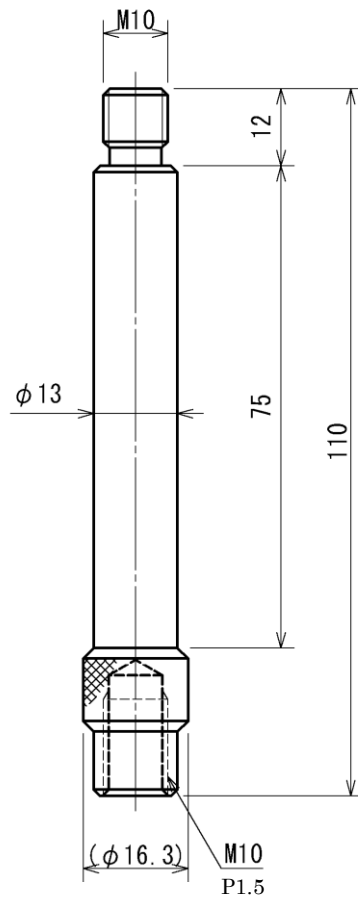
**[ B-3 ] Conical Tip**  
33 g



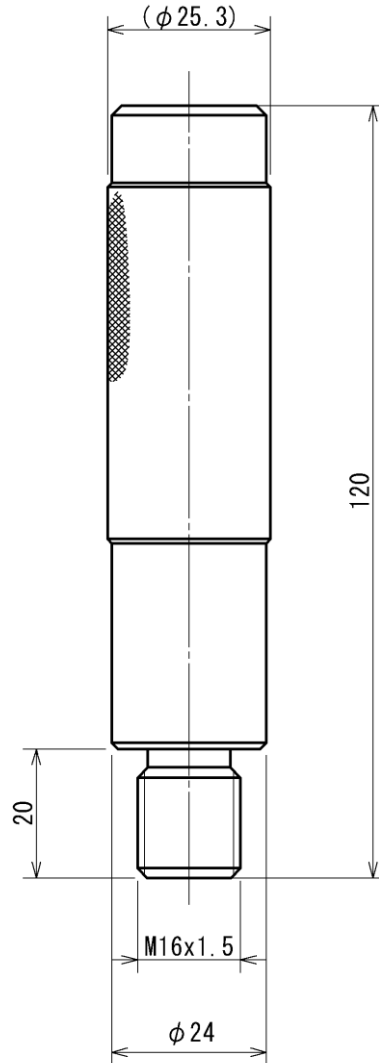
**[ B-4 ] Chisel Tip**  
38 g



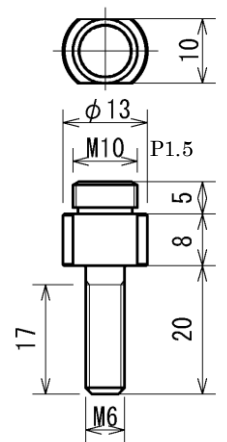
**[ B-5 ] Notched Tip**  
38 g



**[ B-6 ] Extension Shaft**  
102 g

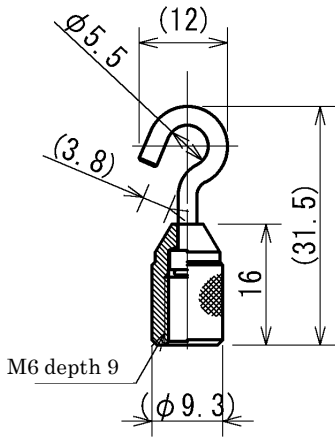


**[ B-7 ] Handle**

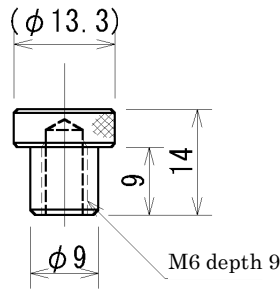


**[ B-8 ] Mounting bolts**

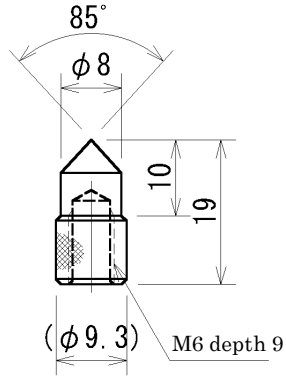
A series \*Aluminum attachments for the force gauges whose capacities are no more than 100N.



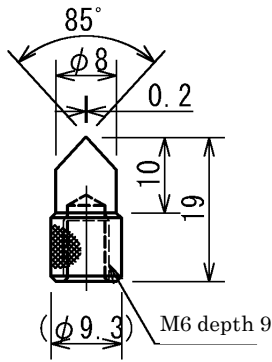
[A-1] Small Hook  
3.1g



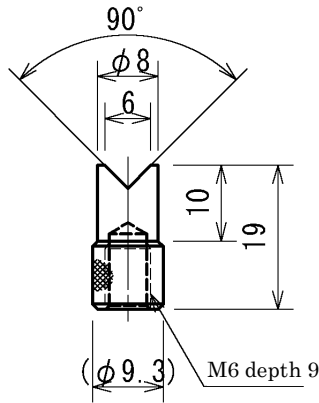
[A-2] Flat Tip  
2.7g



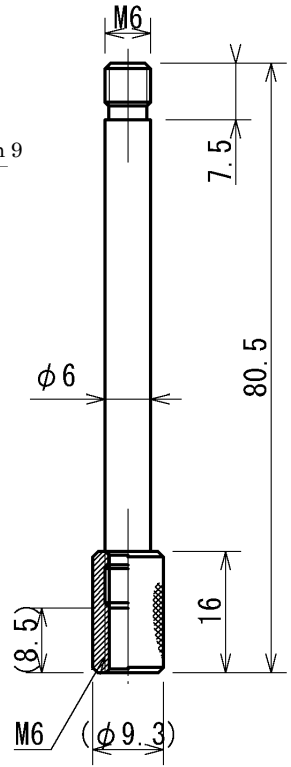
[A-3] Conical Tip  
1.8g



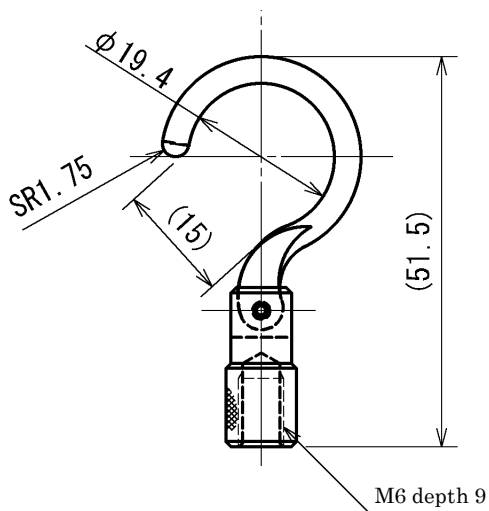
[A-4] Chisel Tip  
1.9g



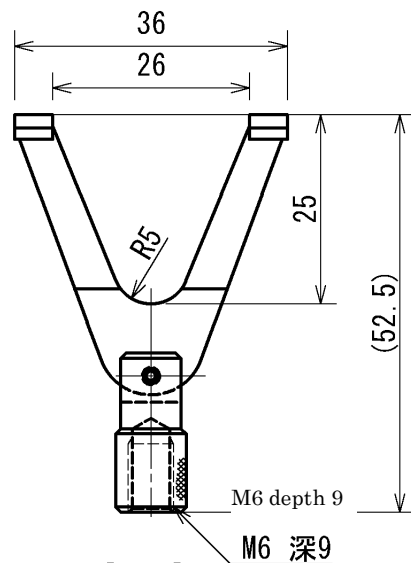
[A-5] Notched Tip  
1.9g



[A-6] Extension Shaft  
7.1g



[A-7] Large Hook  
7.0g



[A-8] Y Hook  
8.8g